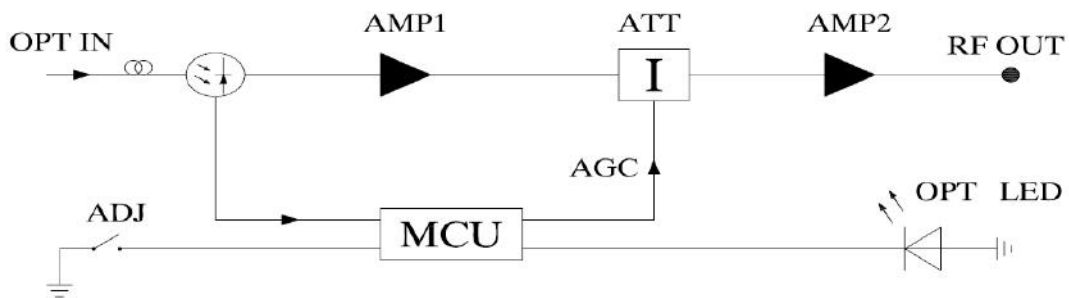


# FTTH Optical Receiver

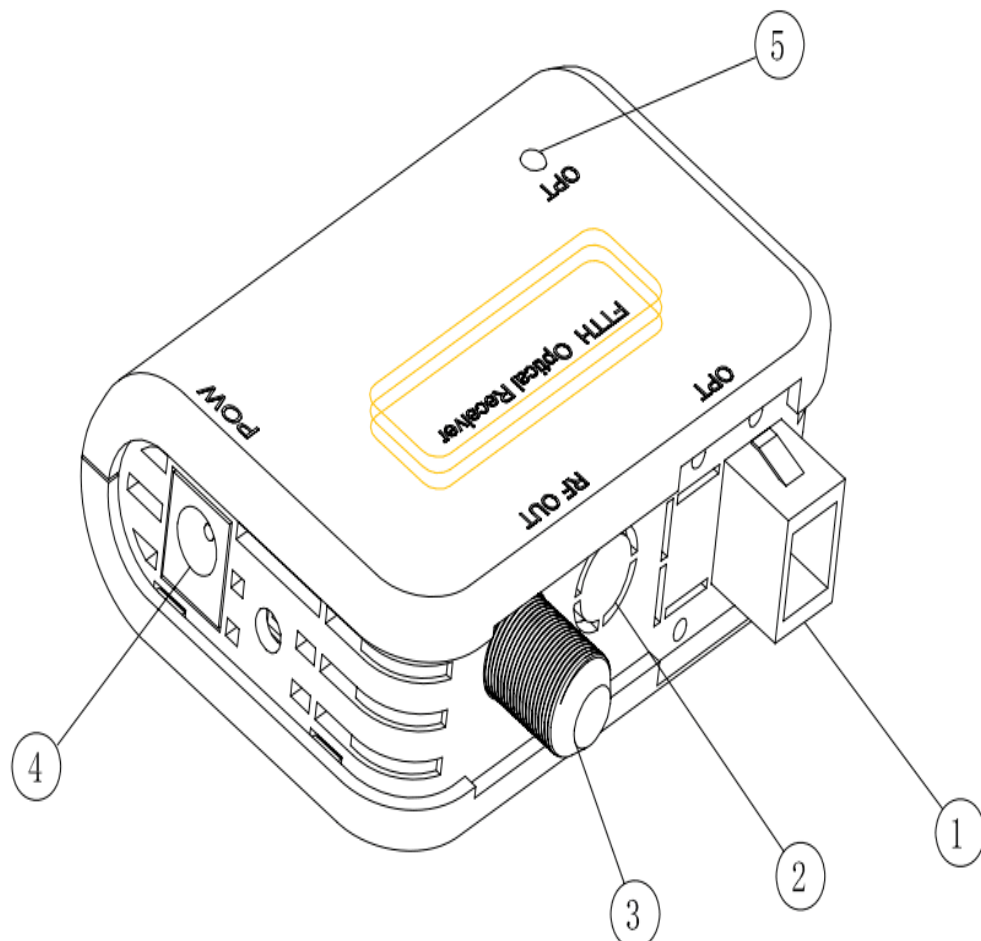
## JPX86RF – Filter

FTTH Optical Receiver has high performance, lower receiver optical power and lower cost for CATV operators providing high quality and excellent FTTH network solution. Product schematic diagram as below:



**Fig.1 Block Diagram**

### 1 Interface



No	Interface	Description
1	Input Optical Interface	SC/FC/APC Connectors optional
2	RF OUT	RF OUT1 F connector
3		RF OUT2 optional
4	POW	Power adaptor port
5	OPT	LED Indicator

## 2. Specification

No	Description	value	Unit	Conditions / Notes
1	Wavelength	1100~1600	nm	<b>1550nm with filter</b>
2	Optical Power Input Range	-20~-1	dBm	Recommend -18 to -1
3	Optical Input Return Loss	≥45	dB	
4	Bandwidth	47~1003	MHz	
5	Flatness	±0.75	dB	47~1000MHz, At 25 °C
6	Slope	0~1.0	dB	47~1000MHz, At 25 °C
7	Temperature Stability	±1.0	dB	In the operating tem range (-25 ~ +65 °C)
8	Output Level	70±2	dBuV	-15dBm input optical power, per channel modulation 4.0%, in the 860MHz point test, at 25 °C
9	Impedance	75	Ohm	
10	Return Loss ( 47 ~ 1000MHz)	≥14	dB	At 25 °C
11	MER	≥34	dB	-15~-4dBm input optical power
12	Power	< 0.8	W	
13	Operating Temperature	-25~65	°C	
14	Storage Temperature	-40~70	°C	
15	Storage Humidity	≤95	%	Non- condensation
16	Optical Connector Type	SC/APC		FC/ST Optional
17	Power interface	DC5V/0.5A		External adapter
18	RF Output Connector	F connector		2 out optional
20	Dimension	74×64×27	mm	

21	Weight	0.15	kg	
----	--------	------	----	--

### 3 AGC Function

Description	Parameter	unit	Noted
Indicator			
AGC arrange	-12~-2	dBm	Save when disconnect power
OPT	Three color light	N/A	Optical power <-20dBm , red indicator; Optical power-20~2dBm, green indicator Optical power >2dBm , orange indicator;

### 4 Packing List

- One Optical Receiver
- One Power Supply Adapter
- One User Manual