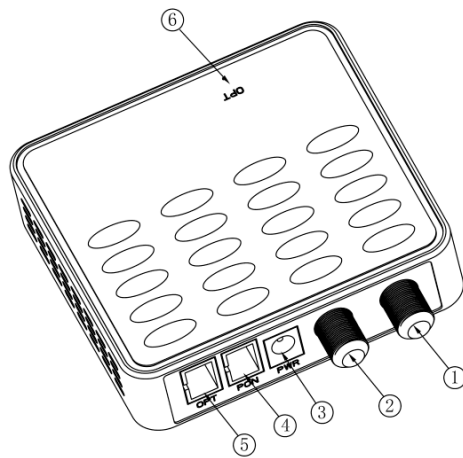


# FTTH mini Optical Receiver with WDM

## Description

The node is a mini in-door optical receiver build in WDM, design for FTTP/FTTH transmission applications. It delivers excellent frequency and distortion responses with low noise, high RF output, and low power consumption. It is single mode fiber-pigtailed and is available with various connector options.

## Interface

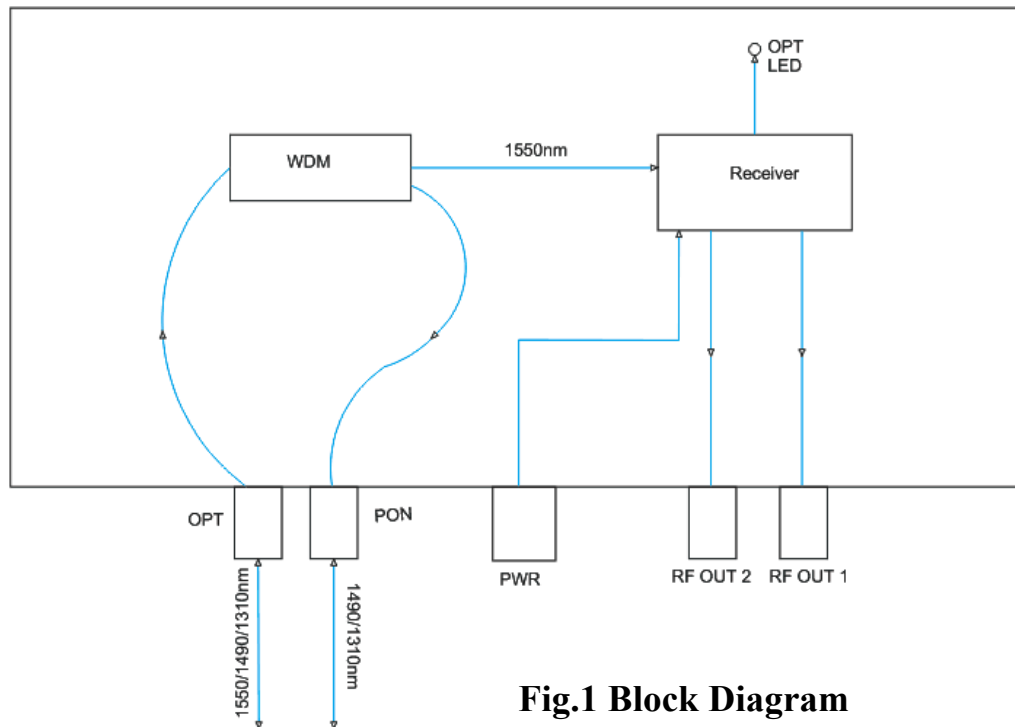


No	Interface	Description
1	RF OUT	RF OUT1 F connector
2		RF OUT2 optional
3	PWR	Power adaptor port
4	PON	1490/1310nm data interface SC/PC
5	Optical Input	1550/1490/1310nm Optical input SC/APC

## Features

- 1 GHz operating bandwidth
- Lower input optical range: +2~-18dBm
- Output level up to 76dBuV (@-15dBm power input);
- 2 RF Output optional
  - Low power consumption < 1.0W;

## Block Diagram



**Fig.1 Block Diagram**

Model	Remark	
TX	<b>FTTH Optical Receiver with WDM</b>	
	-11	-AU: SCAPC/SCUPC, -AA: SCAPC/SCAPC;
	-222	-1MF: Metric F connector X1, -2IF: Imperial F connector X2
	-33	-5E: 5Vdc Europe adaptor, -12C: 12Vdc China adaptor
	-4	-1~Z: Version or customer number

## Specification

Item	Description	Value	Unit	Conditions / Notes
<b>Optical Specifications (Forward Path)</b>				
1	Wavelength	1550/1490/1310	nm	Com port
		10		For ONT
2	Optical Power Input Range	-18~+2	dBm	
3	AGC Range	-2~-12	dBm	
4	Optical Input Return Loss	≥45	dB	
<b>RF Specifications (Forward Path)</b>				

4	Bandwidth	47~1003	MHz	
5	Flatness	±1.0	dB	47~1003MHz, At 25 °C
6	Slope	0~2.0	dB	47~1003MHz, At 25 °C
7	Temperature Stability	±1.5	dB	In the operating temperature range (-25 ~ +65 °C)
8	Output Level	75±2	dBuV	-15dBm input optical power, The analog channel , per channel modulation 4.0%, in the 860MHz point test, at 25°C
9	Impedance	75	Ohm	
10	Return Loss (47~1000MHz)	≥12	dB	At 25 °C
11	MER	≥30	dB	-15~-5dBm input optical power
		≥24	dB	-20~-16, input optical power
12	Power	< 1.0	W	
<b>Environmental Parameters</b>				
13	Operating Temperature	-25~65	°C	
14	Storage Temperature	-40~70	°C	
15	Storage Humidity	≤95	%	Non- condensation
<b>User Interface</b>				
16	Optical Connector Type	SC/APC in, SC/PC out		SC Optional, See the figure④ and⑤
17	Power supply	DC5V/0.5A		External adapter, See the figure③
18	RF Output	RG6 Connector		Optional, See the figure① and②
		1 or 2 ports		
19	Optical Indicator	Shine Red or Green color		Optical power <-16dBm ,red Optical power >--16dBm ,green See the figure⑥
20	Housing	90×85×25	mm	
21	Weight	0.15	kg	