

# FTTH High Level Optical Receiver

## 1. Product description

FTTH optical receiver is specifically designed for CATV FTTH network. Its main feature is low power consumption, AGC optical constant level output, small Volume and high reliability. Adopting aluminum alloy shell, with optical control AGC circuit built in, compact structure and external modular power supply make the installation and debugging very convenient. It is an ideal product to build FTTH CATV network.

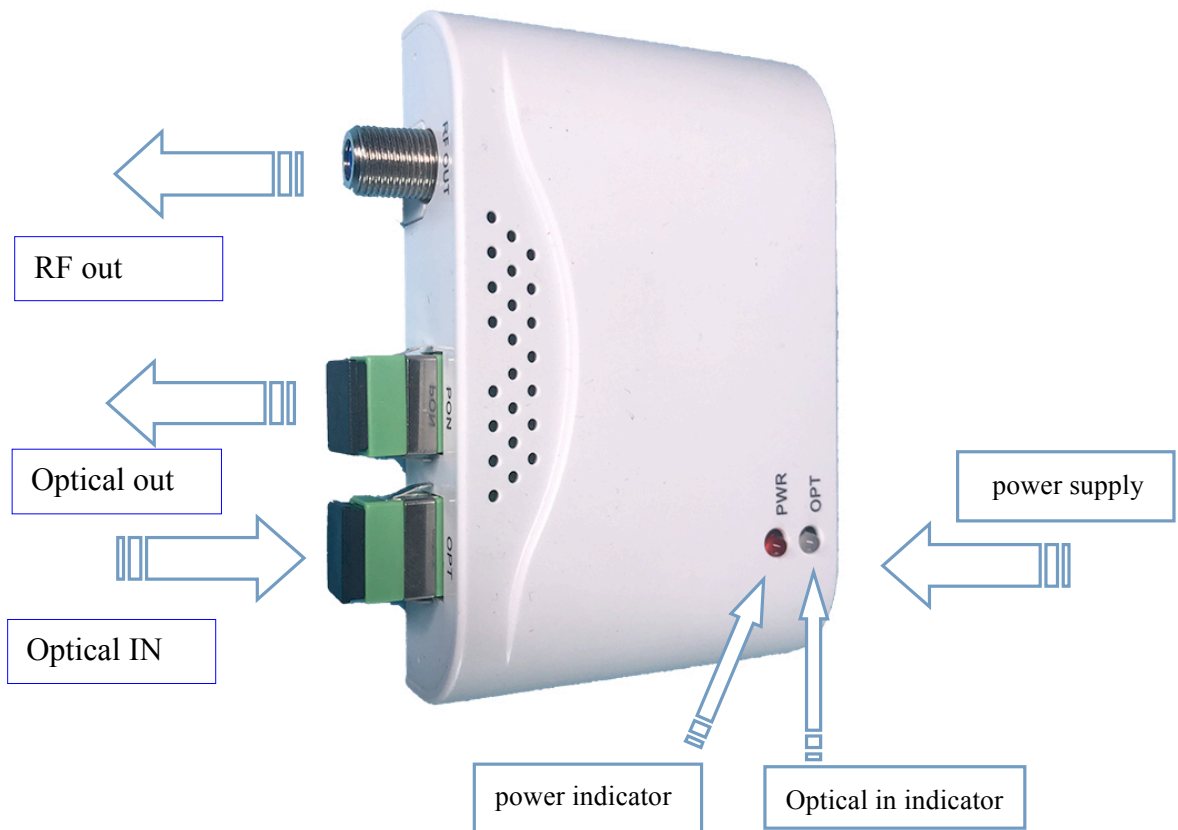
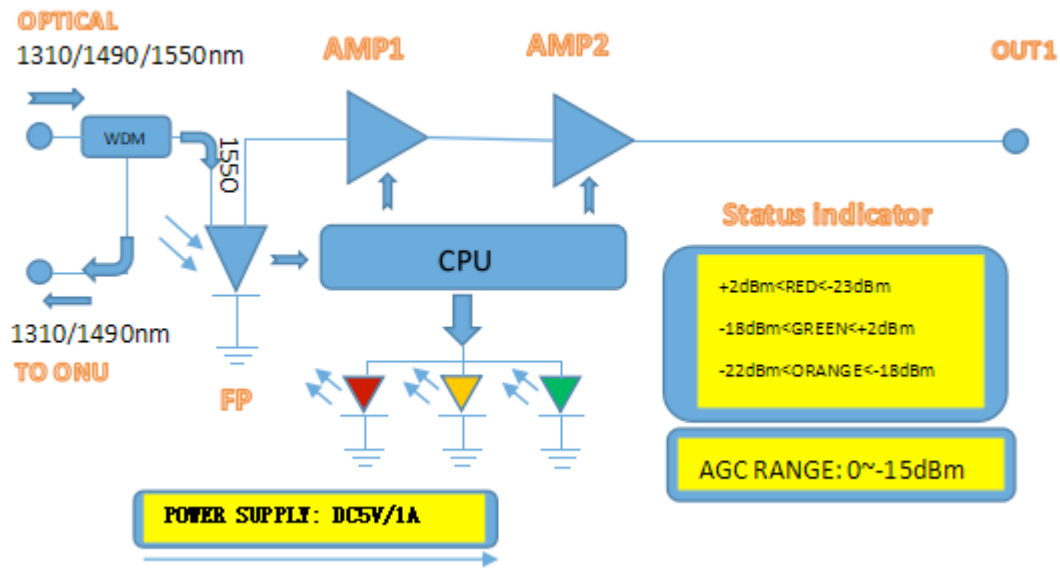
## 2. Product feature

1. Adopts GaAs module as RF amplifying module, the optical receiving range for digital signal can reach -23dBm, and -15dBm for analog signal.
2. AGC control range 0~-10dBm, output level keeps unchanged.
3. Low consumption design and total consumption  $\leq 2$ w, high reliable switching power supply with optical inspection circuit.
4. The output level can be adjustable within the range 0 -18dB, output level more than 78dBuV.

## 3. Technical parameter

Item	Unit	Parameter	Supplement
Model		--	
Optical wavelength	nm	1310/1490/1550nm	
Optical input range	(dBm)	0~ -12	Analog TV
		0~ -18	Digital TV
Optical Output return loss	(dB)	$\geq 45$	
Bandwidth	MHz	47~1218	
Flatness	dB	$\pm 0.75$	
RF output level	(dBuV)	$\geq 78$	Pin:-15~+0dB
AGC control range	(dBm)	0~-15	
AGC character	dB	$\leq \pm 0.5$	Pin:-10~+0dB
Output return loss	(dB)	$\geq 14$	47-1000MHz
Output impedance	( $\Omega$ )	75	
MER	dB	$> 36$	Pin:-15~+0dB
	dB	$> 28$	Pin:-22dBm
BER	dB	$< 1.0E-9$	Pin:-15~+0dB
	dB	$< 1.0E-9$	Pin:-22dBm
CNR	dB	$\geq 51$	Pin=-2dBm
CTB	dB	$\geq 65$	Pin=-2dBm
CSO	dB	$\geq 62$	Pin=-2dBm
Power supply(V)	V	+5VDC	OR21W
Power consumption	W	$\leq 2(250mA)$	+5VDC
Operating temperature	( $^{\circ}C$ )	-20~+60	
Dimension	mm	87*68*22	

#### 4. Diagram



#### 5 . Ordering instruction:

W: with WDM,

WF: with Filter, only receive 1550nm.

Connectors: SA:SC/APC;FA:FC/APC;SP :SC/PC;FP:FC/PC , customized.