

Instruction Manual

1. Description:

The equipment is used as a termination point for the feeder cable to connect with drop cable in FTTx communication network system. The fiber splicing, splitting, distribution can be done in this box, and meanwhile it provides solid protection and management for the FTTx network building.

2. Features:

- 1、 Total enclosed structure.
- 2、 Material: PC, wet-proof、 water-proof、 dust-proof、 anti-aging, protection level up to IP65.
- 3、 Clamping for feeder cable and drop cable, fiber splicing, fixation, storage, distribution...etc all in one.
- 4、 Cable, pigtails, patch cords are running through own path without disturbing each other, cassette type SC/LC/PLC adaptor installation, easy maintenance.
- 5、 Distribution panel can be flipped up, feeder cable can be placed by expression port, easy for maintenance and installation.
- 6、 Suitable for bunchy fibers ,Aerial,Wall-mounting

3. Specification:

- 1、 Environmental requirement

Working temperature: $-40^{\circ}\text{C}\sim+85^{\circ}\text{C}$

Relative humidity: $\leq 85\%$ ($+30^{\circ}\text{C}$)

Atmospheric pressure: $70\text{KPa}\sim 106\text{Kpa}$

- 2、 Main technical datasheet

Insertion loss: $\leq 0.3\text{dB}$

UPC return loss: $\geq 50\text{dB}$

APC return loss: $\geq 60\text{dB}$

Life of insertion and extraction: >1000 times

- 3、 Thunder-proof technical datasheet

The grounding device is isolated with the cabinet, isolation resistance is less than $2\times 10^4\text{M}\Omega/500\text{V}$ (DC) ; $\text{IR}\geq 2\times 10^4\text{M}\Omega/500\text{V}$

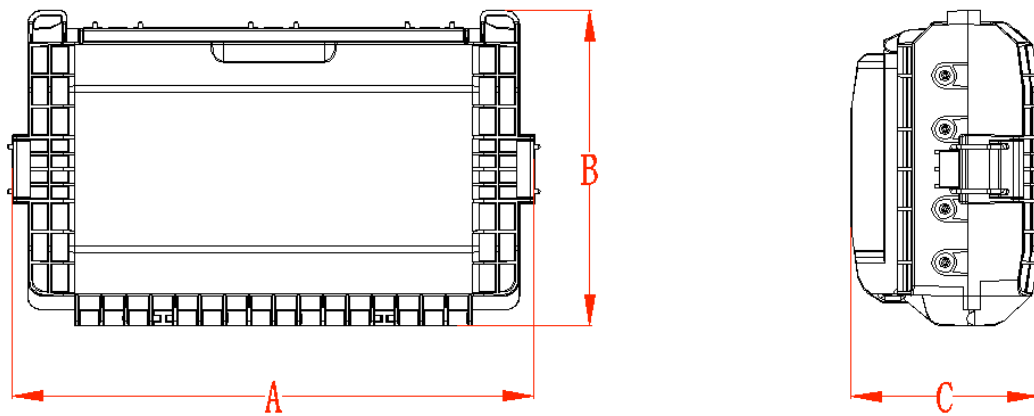
The withstand voltage between grounding device and cabinet is no less than 3000V (DC) /min, no puncture, no flashover; $U\geq 3000\text{V}$

4. Configuration table:

Table 1 Model and configuration

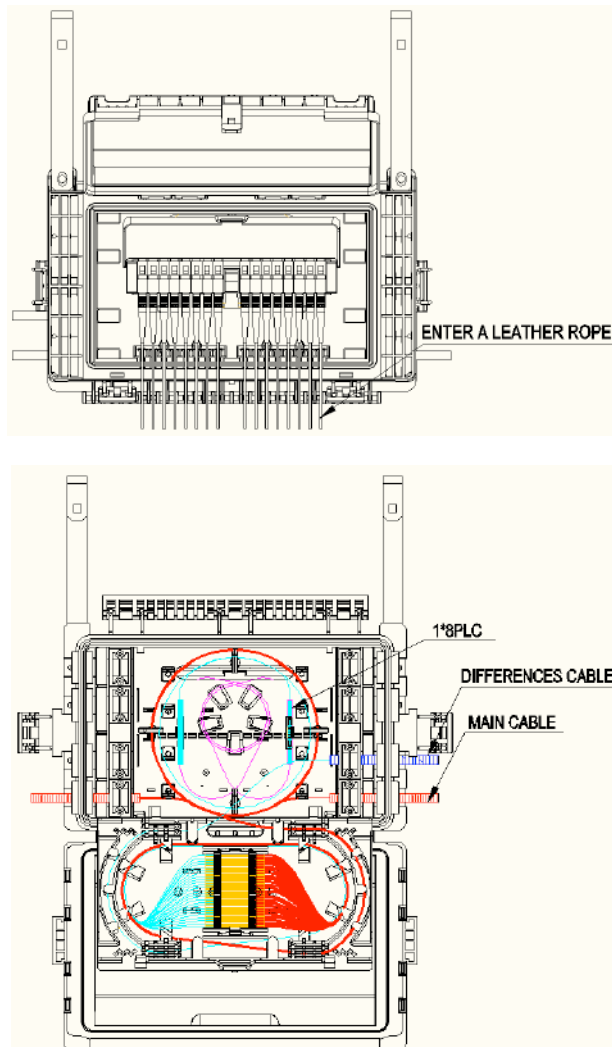
Model	Description	Size (Pic 1)	Max Capacity		Into the largest cable diameter (mm)	Cable outlet size (mm)
		A*B*C(mm)	SC	PLC		
16 CORE	Splitter Box	340*204*123.5	16	1/8*2	12	2*3

Instruction Manual



Pic 1 Box Size

5. Product cable ways:



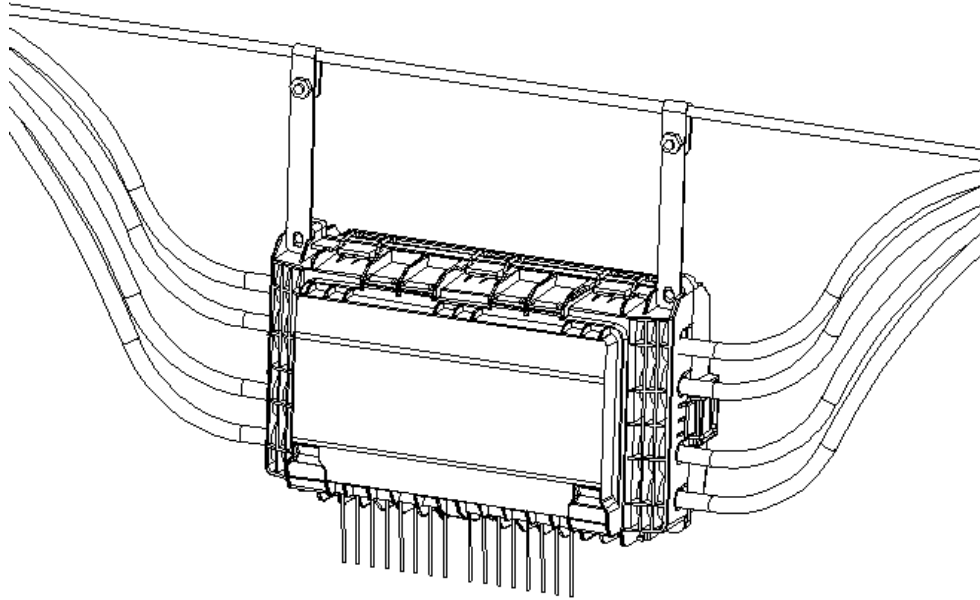
Pic.2 Cable Ways

Instruction Manual

6. Installation:

1. The overhead structure

Tie the two installed on the chassis of the overhead hung on the wire, and then bolted, prevent the case fall off.



7. Accessories:

1. Users' Manual*1
2. Accessories Bag*1