

FAT-10-8P Fiber Distribution Box



1、 Description:

FAT-10-8P Fiber Distribution Box is used as a termination point for the feeder cable to connect with drop cable in FTTx telecommunication network system it can also provide feeder cable for the next SDSP after splitting. The fiber splicing, splitting, distribution can be done in this box, and meanwhile it provides solid protection and management for the FTTx network building.

2、 Specification:

- 1) Water-proof design with IP65 Protection level.
- 2) Integrated with splice cassette and cable management system.
- 3) Manage fibers in a reasonable fiber radius condition.
- 4) Easy to maintain and extend the capacity.
- 5) Suitable for pre-Connectorized Cable Assemblies.
- 6) 10 ports cable entrance for FTTH drop cable.

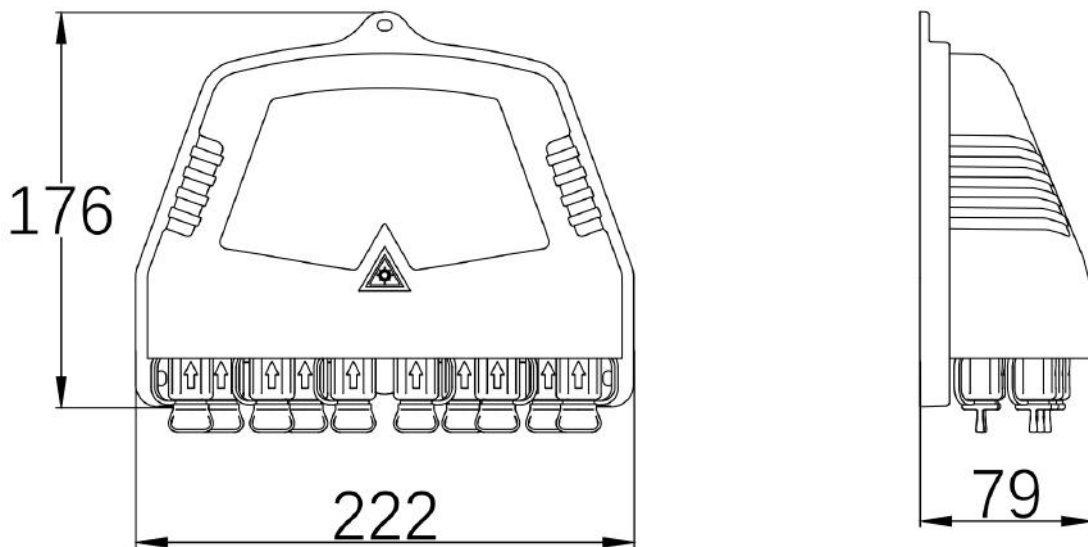
- 7) perform in accordance with IEC 61753-1 Table A.14.
- 8) Identification table labeling inside the cover.

3、 Applications

- 1) FTTH access network
- 2) Telecommunication network
- 3) CATV networks
- 4) Data communications network
- 5) Local area networks

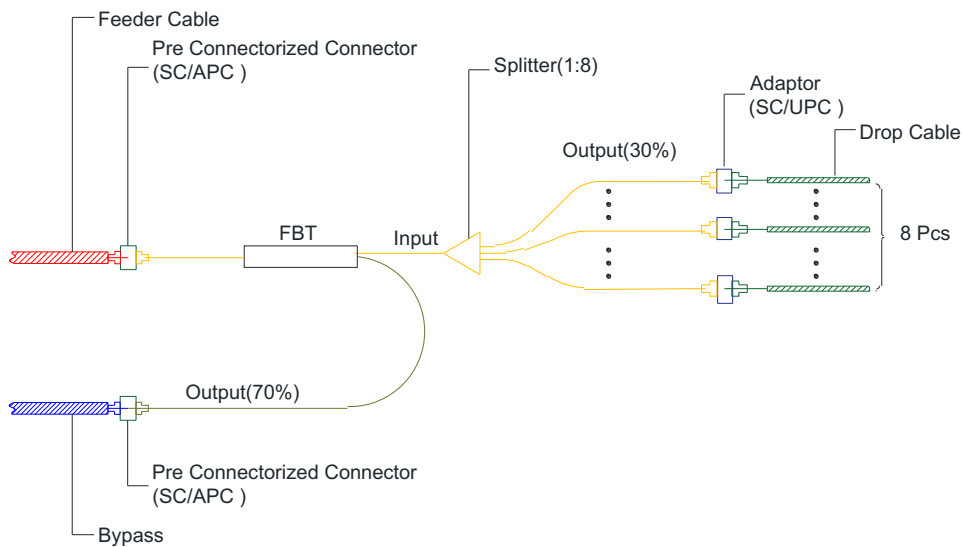
4、 Configuration Table

Model	FAT-10-8P
Size (Pic 1)	H×W×D = 176×222×79(mm)
Material	PP+GF (Anti UV)
Color	Black
PR Connection Capacity	10 Ports
Adapter Type	SC
Installation Method	Wall Mounted & Pole Mounted

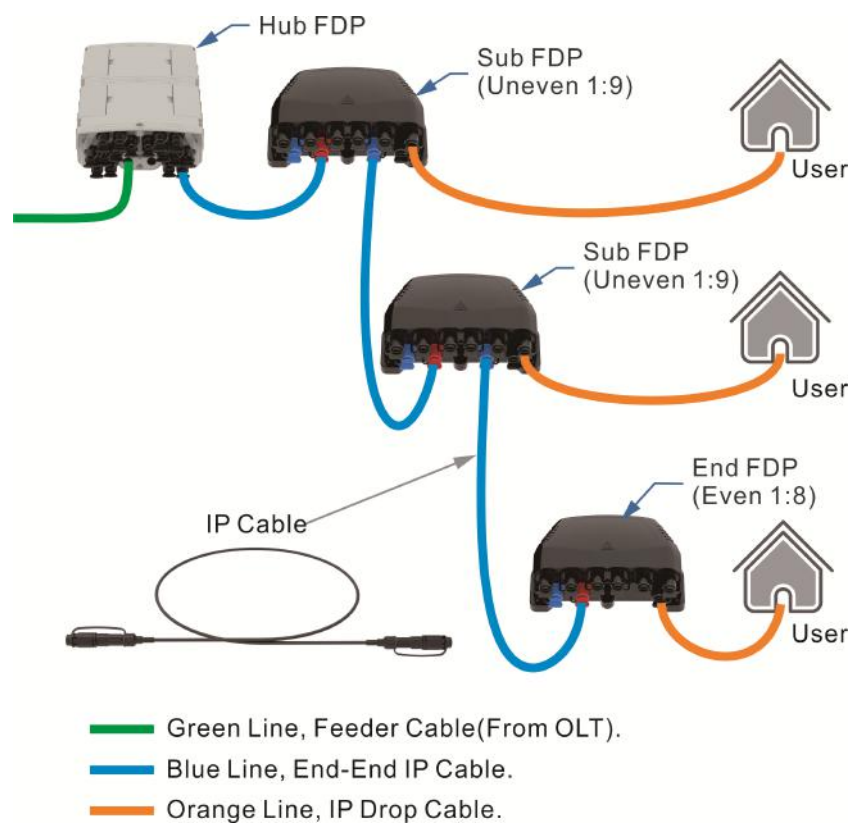


Pic 1

5、 Routing (Pic 2)



Pic 2



Pic 3

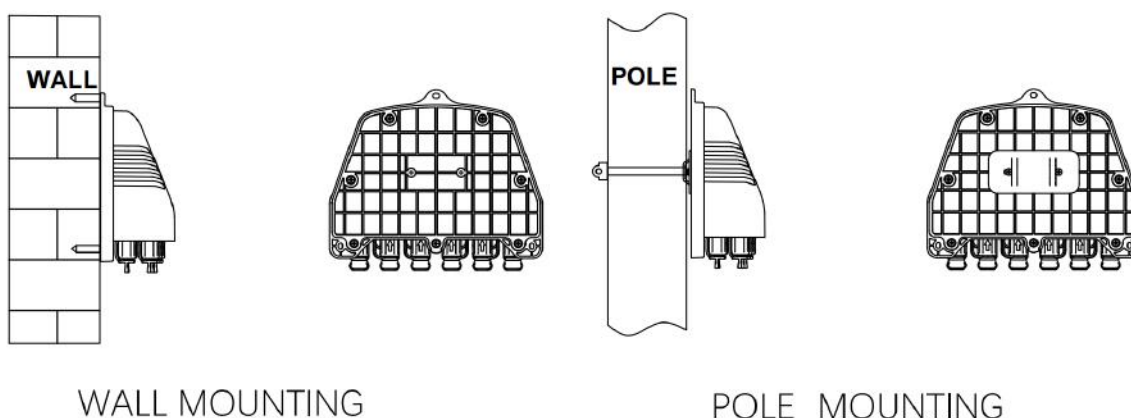
6. Installation

1) Wall-mounted (Pic 4)

Mounting bracket for wall mounting can make the enclosure fixed tightly.

2) Pole-mounted (Pic 4)

Fix 1 set of the hose clamps to the telecom pole .



Pic 4